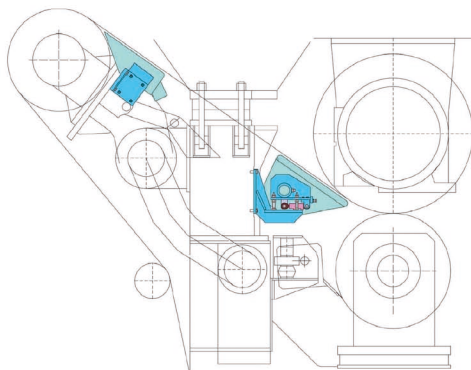
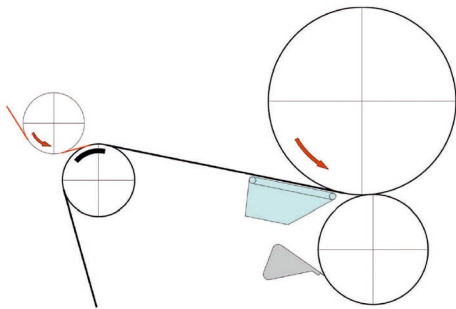
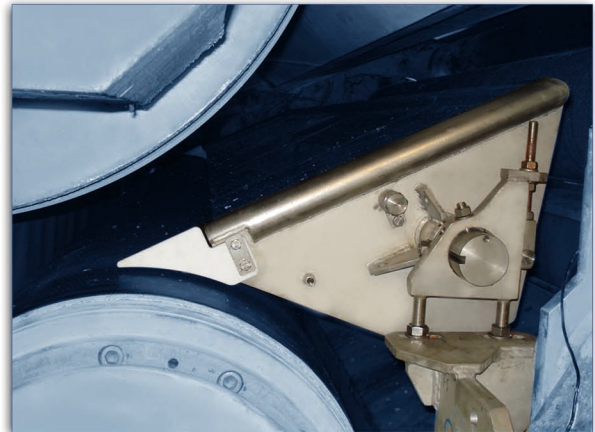


EVsp web stabilizer eliminates blowing problems in free-standing presses

Situation

The free standing press constitutes a typical runnability bottleneck in paper machine efficiency. Press felt air pumping and the roll produce overpressure in the nip between the web and the press roll.

When air flowing through or carried by the felt creates an air bubble in the sheet at the nip, a blowing problem may occur.



Solution

EVsp web stabilizer provides a truly efficient way to increase the paper machine runnability. EVsp eliminates the blowing problem by blowing air out of the nip and thereby creating vacuum.

It causes underpressure by blowing and keeps the sheet in contact with the press felt. EVsp does not replace the suction roll, but completes its function.

As a result

- ▶ Easier tail threading
- ▶ Improved runnability
- ▶ Higher paper machine speed
- ▶ Fewer web breaks
- ▶ Better paper quality
- ▶ Lower draw means less chemical pulp and easier to achieve strength requirements