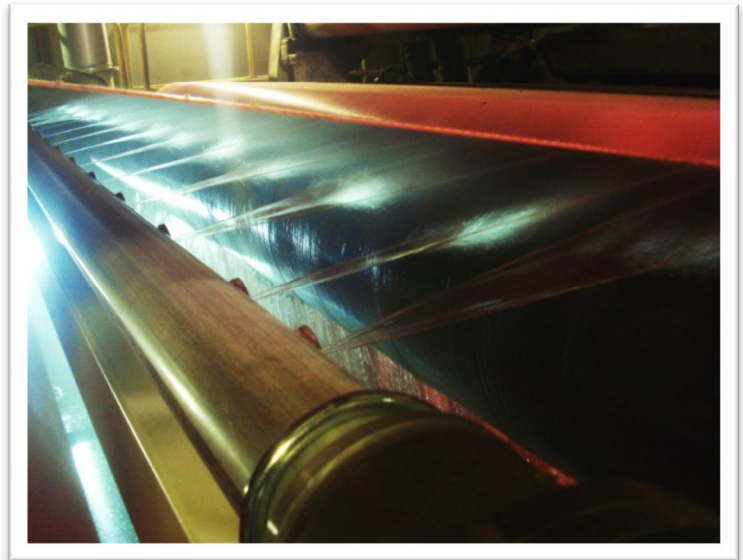


## EV Cleaner maintains excellent dryer fabric permeability

In the beginning of 2010, Stora Enso Veitsiluoto PM1 decided to invest in 4 EV Cleaner units to maintain the cleanliness and continuously high permeability of dryer fabrics. Before the investment the mill had already 10 years of experience from EV Cleaners at PM5.

At the 2nd drying group, EV Cleaner and the new dryer fabric were installed simultaneously. After 6 months run permeability measurements proved that the fabric permeability was almost as high as with the new fabric.

Also 3 other dryer fabrics were cleaned with EV Cleaners. The permeability measurements' results at these fabrics were similar to the results at the 2nd dryer group.



*It's clean! EV Cleaner is an economical, maintenance-free solution for dryer fabric cleaning. It maintains high permeability and prolongs fabric life time.*

***"Thanks to EV Cleaner, after 6 months run the permeability of dryer fabric is still almost as high as with the new fabric"***

Matti Kaarakka, Process Development Manager of PM1

### Stora Enso Veitsiluoto PM 1

- speed 1160 m/min
- width 4,6 m
- grade: coated mechanical/groundwood
- 4 EV Cleaners installed at 1st, 2nd and 3rd dryer groups (for both top and bottom positions of 3rd dryer group)

The same dryer fabric used for 6 months:

Permeability still

**98 %**

of the new fabric.

### **How does EV Cleaner operate?**

EV Cleaner sprays low pressure water to the closing nip during a web break. Typically already 20-30 seconds cleaning is very efficient as the cleaning water is pressed through the fabric in the closing nip. Contamination and excess water are removed by a specially designed save-all so any dirt particles or fibers cannot accumulate in the area. EV Cleaner is an optimal method to maintain high permeability of dryer fabrics when used throughout the fabric life.

### **Why is EV Cleaner practically maintenance-free?**

EV Cleaner does not require high pressure water or compressed air and it does not include any moving parts. This is why it operates reliably in hot and moist conditions of the hood.

### **Expensive cleaning method with high maintenance costs - or maintenance-free EV Cleaner?**

EV Cleaner ensures excellent cleaning results in different mills and circumstances. Compared to more complicated cleaning systems, it ensures great results very cost-effectively.

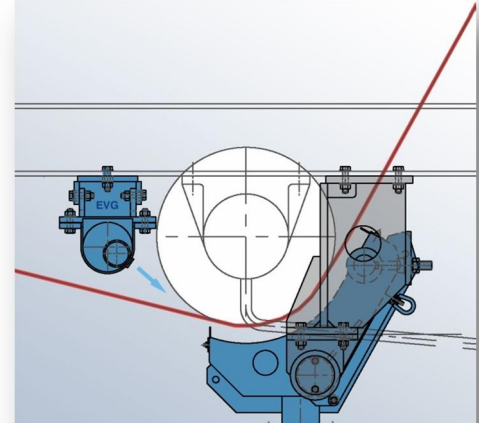
### **What is the investment cost of EV Cleaner?**

Typically the investment cost is similar to the cost of a couple of dryer fabrics. While EV Cleaner maintains cleanliness and high permeability, you may use your fabric throughout the entire mechanical fabric life time. In many paper grades this means 3 or 4 times longer fabric life time!

The operation costs are minimal or null – you need only very little water compared to the other cleaning methods, no electricity and only minor maintenance (the save-all is easy to clean during shut-down).

### **Why is it important to install EV Cleaner for the correct position?**

To ensure best possible cleaning result EV Cleaner always needs to be installed to the position instructed by the EV specialists. Optimization of the cleaning angle, length and save-all position ensure the best possible cleaning result. Every EV Cleaner is tailored for its position and the EV installation team takes care you will have a successful start.



*EV Cleaner, Norske Skog Saugbrugs, PM5, Norway*

*EV Cleaner cleans the dryer fabric and maintains high permeability*

